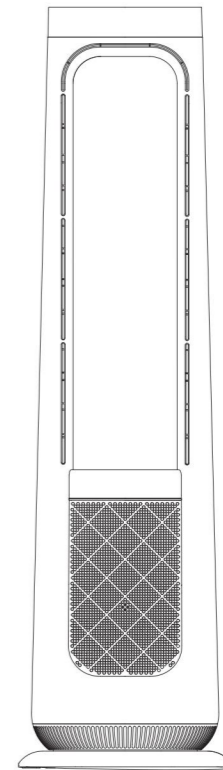




舒乐氏冷暖无叶风扇

AIR MULTIPLIER

AFS-BL01



索力雅斯商务咨询（上海）有限公司（商标持有人）

佛山方信网络科技有限公司

售后服务热线：400-8083-081 官方网站：www.soleusair.net.cn

制造商地址：广东省佛山市顺德区大良街道北区社区绿田路12号A栋3层304号

Soleus Commercial Consulting (Shanghai) Co., Ltd. (Trademark Holder)

Foshan Fangxin Network Technology Co., Ltd.

After-sales service hotline: 400-8083-081 Official website: www.soleusair.net.cn

Manufacturer's address: No. 304, Floor 3, Building A, No. 12, Lvtian Road, Beiqu Community, Daliang Subdistrict, Shunde District, Foshan, Guangdong Province

产品外观图仅供参考，请以实物为准

使用说明书

感谢您购买本产品！使用产品前请仔细阅读本说明书，并妥善保管。

执行标准：GB 4706.1-2005 GB 4706.23-2007 GB 4706.27-2008 GB 4343.1-2018 GB 17625.1-2022

Operation Instruction

Thank you for purchasing this product! Please read this manual carefully before using the product and keep it properly.

Implementation standard: GB 4706.1-2005 GB 4706.23-2007 GB 4706.27-2008 GB 4343.1-2018 GB 17625.1-2022

感谢惠顾!

- 请在使用前仔细阅读使用说明书, 以便正确使用本产品;
- 请妥善保管好使用说明书, 以备后用;
- 产品以包装内实物为准。

目录 Contents

使用注意事项	01	按键操作说明	08-09
产品结构示意图	02	遥控操作说明	10
技术参数	03	保养与清洁	10-12
装箱清单	03	电气原理图	12
操作说明	04	故障问题与排除	13
显示/控制面板说明	05	环保说明	14
显示图标说明	06-07	保修卡	15

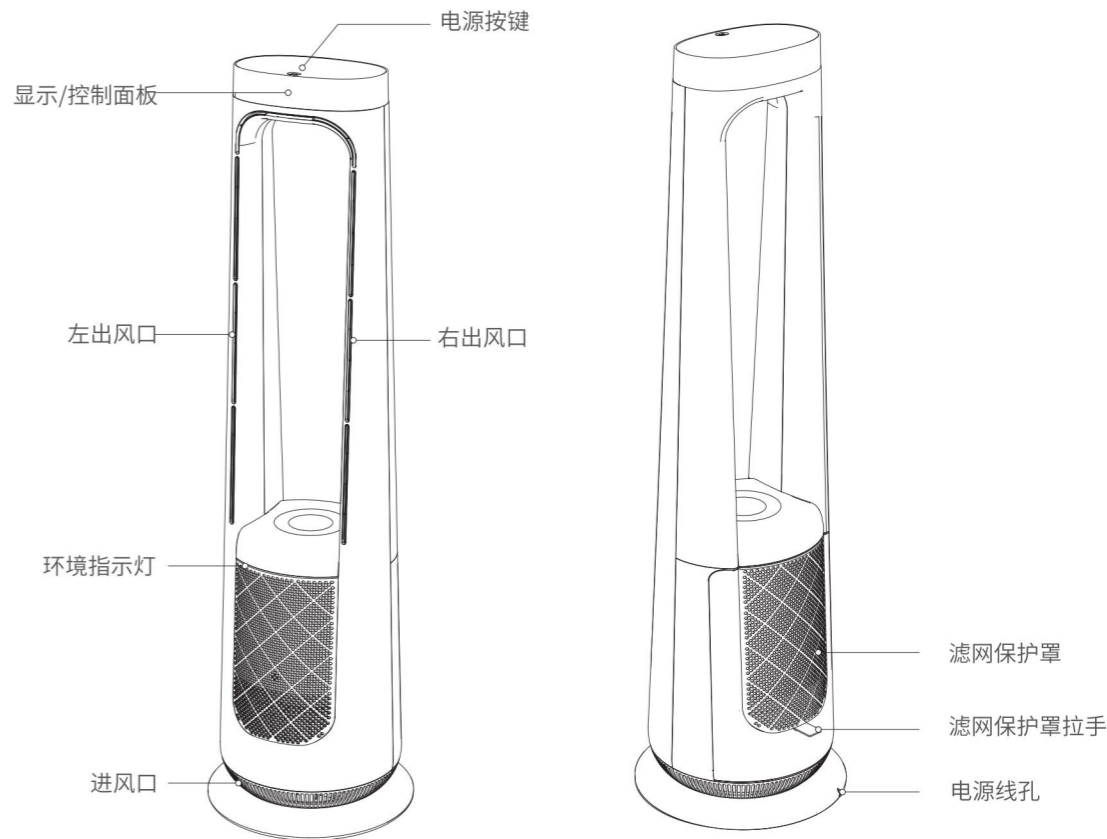
01 / 使用注意事项

使用本产品前请仔细阅读此说明书,并妥善保管以作日后参考之用。

为预防因使用不当而造成不必要人身伤害和财产损失,请用户在使用时务必注意以下事项:

- ① 请使用单独的电源插座,以避免插座过热造成危险;禁止在移动式插座上使用,严禁加长电源线使用。
- ② 请勿让儿童、个人行为能力不健全的人士单独操作使用本产品;要放在上述人员不能触及的地方,以避免触电、烫伤等危险事故发生。
- ③ 禁止在存放易燃易爆物品的环境下使用,使用过程中请勿靠近发热或高温物体,以免引起火灾。
- ④ 禁止靠近柔软物体使用,如窗帘等,并保证产品附近有10cm的空间距离。
- ⑤ 禁止在产品工作的时候,对整机进行搬移、倾斜等不良操作;如需搬移整机时,请务必先关闭电源并拔下电源插头;严禁直接拉拽电源线来移动产品。
- ⑥ 请勿在倾斜的台面使用本机器,应放置在平坦坚固的地方。
- ⑦ 禁止在户外或潮湿地面使用,以降低电击风险。
- ⑧ 禁止使用潮湿的双手开关电源或移动产品,应保持双手干燥,避免触电。
- ⑨ 禁止使用含有汽油、酒精或其他易燃清洁剂进行产品清洗以免引起火灾。
- ⑩ 使用取暖功能时,为避免灼热,切勿让裸露的皮肤靠近或直接接触出风口表面;为避免过热,禁止覆盖机器。
- ⑪ 使用前,请确保电源线插头完全插入插座,避免插头与插座接触不良引起火灾。
- ⑫ 整机要谨慎防溅水、严禁浸水;如不慎溅水,请使用电吹风将其吹干(电吹风不得紧靠底座),等完全吹干后方可使用;如不能使用请联系售后人员安排维修。
- ⑬ 若产品出现故障,请立即关机、拔下插头断电,及时联系售后人员。非专业人员不得自行修理或改装本产品。
- ⑭ 如果电源软线损坏,为了避免危险,必须由制造商、其维修部或类似部门的专业人员更换。
- ⑮ 禁止使用带有可自动接通电源的程序器、定时器或者其他装置来使用产品。
- ⑯ 在清洁、维护及维修前,请务必拔掉电源插头。
- ⑰ 当机器长时间不使用时,请套上防尘袋,然后放置在安全阴凉及干燥的地方收藏,避免阳光直射。
- ⑱ 产品使用前,请按照说明书指导操作,先拆除产品及滤网包装,并正确安装滤网。
- ⑲ 禁止把产品作为动植物的保温、加热设备。
- ⑳ 禁止直接置于电源插座下面。

02 / 产品结构示意图



备注:为了持续优化及升级产品,购买的实物与示意图可能略有差异,请以实物为准。

03/ 技术参数

产品名称	冷暖无叶风扇
产品型号	AFS-BL01
额定电压/频率	220V~/50Hz
额定功率	1800W
产品净重	9.4kg
产品尺寸	326×326×1163mm
执行标准	GB 4706.1-2005 GB 4706.23-2007 GB 4706.27-2008 GB 4343.1-2018 GB 17625.1-2022

04/ 装箱清单

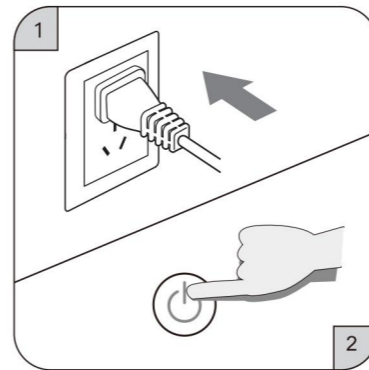
序号	部件名称	数量
1	主机(内带滤网)	1
2	遥控器	1
3	Wi-Fi操作指导书	1
4	说明书	1
5	遥控器电池	2

05/ 操作说明

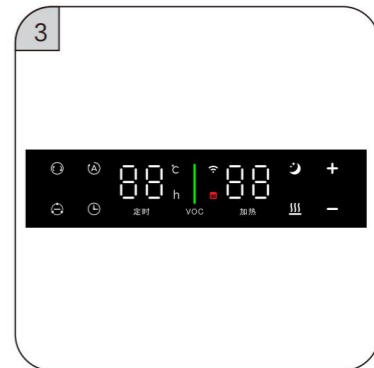
⚠ 使用注意

- 本机器内部已随附滤网。
- 确保滤网安装正确、到位。
- 确保滤网拉手所在面是朝向您。
- 确保滤网保护罩安装正确、到位。

开始使用



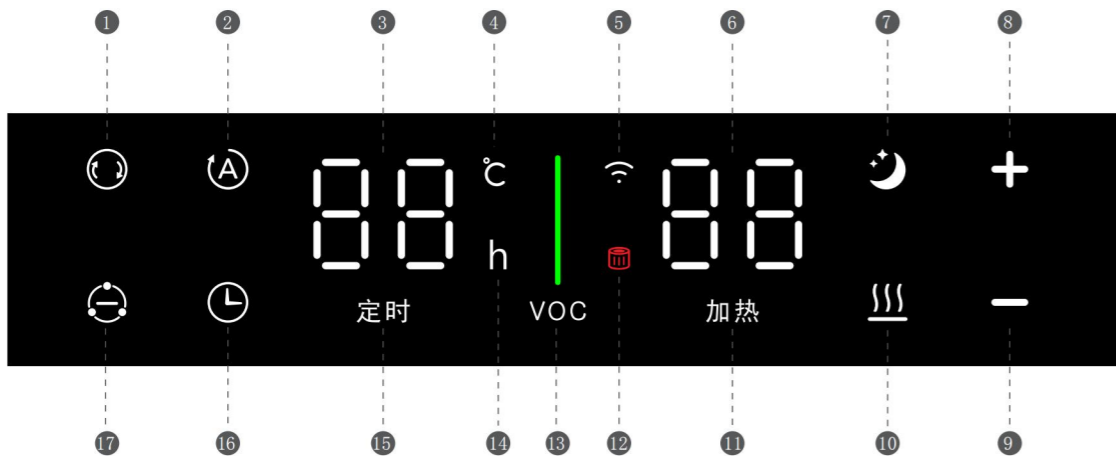
1. 插上电线，机器通电，蜂鸣器发出提示声后进入待机状态。
2. 触摸电源按键开机。



3. 屏幕亮起，触摸相关功能键机器进入工作状态。

提示：插电后机器无任何反应，请检查滤网保护罩是否安装正确、到位。

06 / 显示/控制面板说明



- | | | | |
|-----------|--------|-----------|----------|
| ① 摇头按键 | ② 智能按键 | ③ 温度/时间显示 | ④ 温度单位 |
| ⑤ Wi-Fi图标 | ⑥ 档位显示 | ⑦ 睡眠按键 | ⑧ 递增按键 |
| ⑨ 递减按键 | ⑩ 暖风按键 | ⑪ 暖风图标 | ⑫ 滤网寿命图标 |
| ⑬ 空气质量显示条 | ⑭ 时间单位 | ⑮ 定时图标 | ⑯ 定时按键 |
| ⑰ 除菌按键 | | | |

提示:说明书中的产品、配件、用户界面等插图均为示意图,仅供参考。由于产品的更新与升级,产品实物与示意图可能略有差异,请以实物为准。

07 / 显示图标说明

显示图标	名称	状态描述	状态说明
	温度/时间显示	常亮显示数值	显示当前环境温度 定时功能启动后,温度和时间交替显示
	Wi-Fi图标	熄灭 闪烁 常亮	Wi-Fi功能未启动 Wi-Fi信号对接中 Wi-Fi信号连通,可使用APP操控
	风速档位显示	显示1-12 显示P1-P3	冷风模式对应工作档位 暖风模式对应工作档位
	暖风图标	熄灭/常亮	暖风模式关闭/启动
	定时图标	熄灭/常亮	定时功能关闭/启动

显示图标	名称	状态描述	状态说明
	滤网寿命图标	熄灭/常亮	正常可用/已经到期, 请及时更换
 VOC	空气质量显示条	 ---- 绿色常亮 VOC ---- 白色常亮	空气质量优
		 ---- 蓝色常亮 VOC ---- 白色常亮	空气质量良
		 ---- 红色常亮 VOC ---- 白色常亮	空气质量差

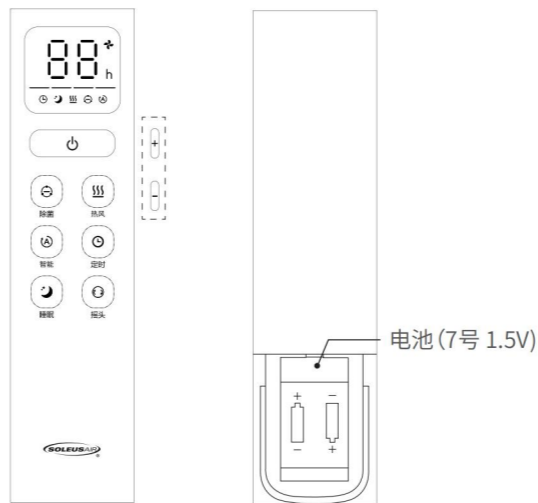
注意: 空气质量显示条与环境指示灯的显示效果一致。

08 / 按键操作说明

按键符号	名称	含义
	电源按键	待机状态下触摸“电源按键”进入工作状态, 工作状态下指示灯亮白色; 工作状态下触摸“电源按键”进入待机状态, 待机状态时指示灯亮红色。
	摇头按键	在工作状态下触摸“摇头按键”, 按键指示灯亮绿色, 摇头功能开启。
	智能按键	工作状态下触摸“智能按键”, 工作模式在智能和定档之间切换。智能模式时智能键灯亮绿色, 智能模式启动。智能模式时, 风速根据环境温度变化, 空气质量指示灯颜色根据空气质量变化。 Wi-Fi配网功能: 在工作状态下: 长按“智能按键”, 显示屏上Wi-Fi图标闪烁, 指示等待配网。配网成功Wi-Fi图标长亮, 如果长时间内不能连接成功, Wi-Fi图标熄灭。
	睡眠按键	工作状态下触摸“睡眠按键”进入睡眠模式, 睡眠模式下除睡眠按键灯亮绿色, 其他所有指示灯、图标均熄灭, 一分钟后睡眠按键灯熄灭。 睡眠模式下触摸任意功能按键一次唤醒显示, 屏幕点亮。再次触摸睡眠按键退出睡眠模式。如果不再次触摸, 10秒后仍返回睡眠模式, 熄灭屏幕。

按键符号	名称	含义
+	递增按键	递增调节档位和设置时间
-	递减按键	递减调节档位和设置时间
☺	暖风按键	工作状态下触摸“暖风按键”，暖风按键灯亮绿色，进入取暖模式。显示屏上暖风图标点亮，档位显示区显示设定的档位，每触摸一次“递增按键”，档位增加1，每触摸一次“递减按键”，档位减少1，档位在P1-P3之间设定。重新触摸“暖风按键”，暖风功能关闭。
🕒	定时按键	<p>设置定时：工作状态下触摸“定时按键”，时间显示闪烁，进入定时关机设置状态。每触摸一次“定时按键”，数值增加1（也可通过递增按键、递减按键自由调节），调整范围为0-12小时。时间设置好后无操作，机器自动确定设定时间，定时图标点亮，定时按键灯亮绿色。</p> <p>取消定时：长按定时按键，定时功能图标熄灭，定时按键灯亮白色。</p>
🦠	除菌按键	工作状态下触摸“除菌按键”，除菌按键灯亮绿色，除菌功能开启。

09 遥控操作说明



使用遥控器前请先将电池装入背部的电池仓

- 遥控器的显示及按键与机身功能按键相对应；
- 遥控器在产品正面3米内，偏离角度在30度范围内可正常使用；
- 如使用过程中发现遥控器遥控不灵敏的情况，请更换电池再使用。

注意：

电池中含有许多重金属和酸碱等物质，废旧电池请分类回收处理。

10 清洁与保养

机器清洁保养前必须拔掉电源插头，待机器冷却才能进行。

1. 清洁机身

- 使用软性布料擦除污渍；
- 不能轻易擦除的顽固污渍，可用软布蘸上适量的中性清洁剂擦拭。

注意：清洁保养时，不要用硬物划伤机器外壳；拆卸滤芯保护罩时，请按说明书要求操作，勿损坏机器部件。

2. 滤网的更换

- 滤网的更换由内置程序提醒，但由于实际应用环境的污染程度不同，滤网的使用周期也会不同，可根据机器滤网寿命提示判断及时更换；
- 当显示区的滤网寿命图标亮起，请参考下页的更换滤网示意图进行更换；
- 重新接通电源开机，同时长按除菌按键和定时按键，机器程序会复位重新计滤网寿命，滤网寿命图标闪烁后熄灭。

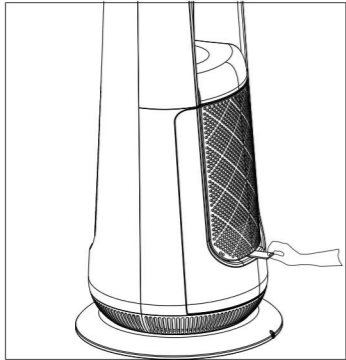
3. 滤网的清洁

a. 滤网表面积尘时, 可使用吸尘器清洁表灰尘, 以延长过滤网的使用寿命 (建议每隔1个月清洁一次, 不可水洗)。

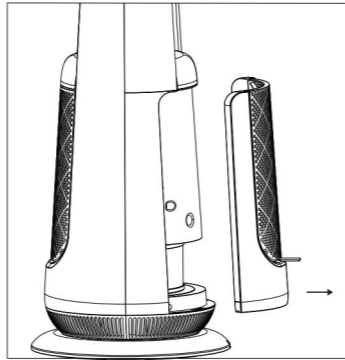
*根据使用场所和使用方法 (例如吸烟人数较多的场所及宠物场所), 滤网更换的周期可能会缩短, 净化效果不好时请及时更换。

*请将用过的滤网按固体废弃物相关规定做垃圾处理。

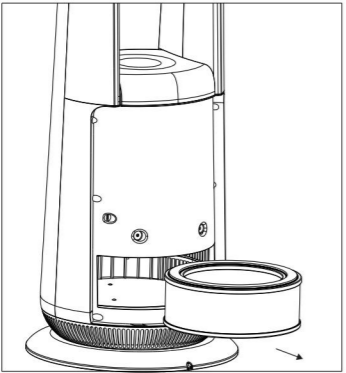
更换滤网



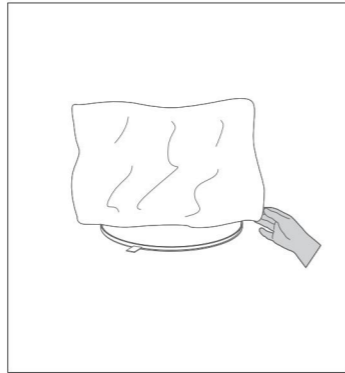
1. 将手放置于滤网保护罩拉手位上, 向外轻拉。



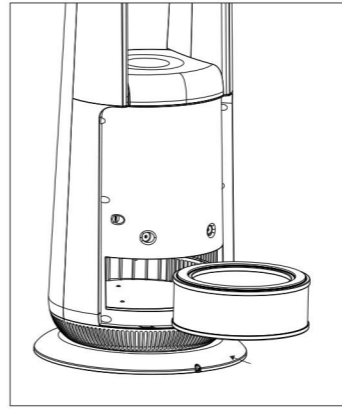
2. 取下滤网保护罩。



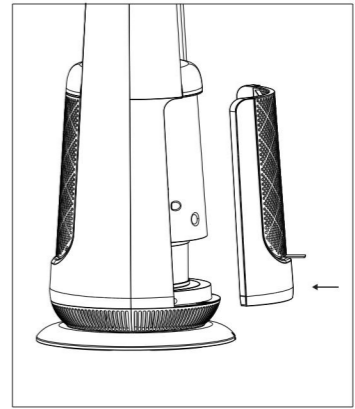
3. 取出机内的旧滤网。



4. 去除新滤网上的塑料包装袋。

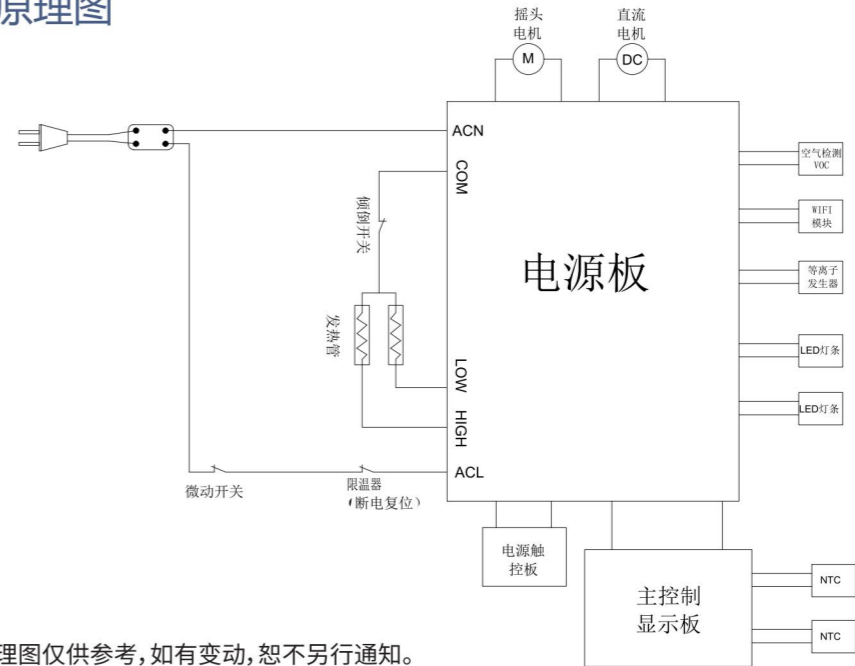


5. 装入去除塑料包装袋的新滤网。



6. 装上滤网保护罩。

11 / 电气原理图



注意: 电气原理图仅供参考, 如有变动, 恕不另行通知。

12 / 故障分析及排除

在遇到如下一般性问题时，用户可自行排查。

序号	故障现象	检查事项	故障排除
1	机器无任何反应	电源插座是否有电	开启电源
		电源插头是否松动	接好插头
		滤网保护罩或滤网未安装到位	检查滤网保护罩或滤网是否安装好
2	异常噪音	滤网塑料袋是否拆除	滤网塑料袋重新安装
		机器与放置的台面发生共振	请将机器移动至坚实的台面上
		机器内部有异物	检查机器除去异物
3	Wi-Fi无法连接	检查网络是否正常	重新连接或重启路由器
		检查路由器信号是否稳定	
		检查Wi-Fi密码是否正确	
4	出风口异味	滤网吸附了太多异味和烟雾	请及时更换滤网
		滤网已累计达到更换时间	
5	显示报"E2"	产品倾斜或翻倒	请将产品平稳放置
6	显示报"E3"	风机异常	联系售后客服
7	显示报"E4"	高温保护	检查出风口是否有物体覆盖，冷却后重新通电重启
8	显示报"E5"	NTC异常	联系售后客服

异常处理

产品如出现异常情况如：异常噪音，大量烟雾等，应立即切断电源，停止使用。

如出现产品不能工作：请检查电源是否连接好，机器是否已按电源按键启动。

如经上述检查，产品还是不能工作，请到指定的维修中心维修或致电到本公司客服热线咨询。

13 / 环保说明

1. 本产品满足《电器电子产品有害物质限制使用管理办法》的要求；
2. 在环保使用期限内，消费者在正常使用过程中不会出现有害物质泄露、析出等影响消费者健康的问题，可以放心使用；
3. 本公司产品环保使用期限为10年，只有在本说明书所述的正常情况下使用本产品时，“环保使用期限”才有效。

部件名称	有毒有害物质或元素					
	铅(Pb)	汞(Hg)	镉(Cd)	六价铬(Cr(VI))	多溴联苯(PBB)	多溴二苯醚(PBDE)
电源线组件	○	○	○	○	○	○
底座组件	○	○	○	○	○	○
滤芯组件	○	○	○	○	○	○
动力系统组件	×	○	○	○	○	○
电路板	×	○	○	○	○	○
遥控器	×	○	○	○	○	○
外壳组件	○	○	○	○	○	○

本表格依据SJ/T11364的规定编制。

○表示该物质在该部件所有均质材料中的含量均在GB/T26572规定的限量要求以下。

×表示该有害物质至少在该部件的某一均质材料中的含量超出GB/T26572规定的限量要求。

*环保清单为总表数据，各产品包含部件有所不同，请选择阅读。

环保使用期限10年：

表示本产品中含有的有害物质不会发生外泄或突变，用户在产品说明书所述情况下正常使用本产品不会对环境造成严重污染或对其人身、财产造成严重损害的期限。



箭头循环标志：

表示本产品可回收利用。超过使用期限或经过维修无法正常工作后，不应被随意丢弃，请交由正规回收渠道以及有废弃电器电子产品处理资格的企业处理，正确的处理方法请查阅国家或当地有关旧电器电子产品的处理规定。

14 / 保修卡

- ① 本产品实行整机保修,保修期为一年,起始日期自开具产品发票或购物凭证之日起计算,整机及主要零部件保修同国家三包政策。
- ② 在保修期内,凡属产品本身质量引起的性能故障,请顾客凭已填好的保修卡及购物凭证到指定维修点免费修理。
- ③ 请妥善保存购机发票或凭证。

以下情况恕不免费维修

- ① 放弃保修卡及有效发票或购物凭证。
- ② 发票型号与维修产品型号不符或者有涂改。
- ③ 未按说明书的要求操作机器所引起的故障。

产品信息:

产品名称	
产品型号	
购买日期	
购买地点	

维修记录:

维修日期	维修情况

Thank you for choosing this product!

- Before using the product, please read this manual carefully for proper use. Please keep this manual properly for future reference.
- The product shall be subject to the actual object in the package.

Contents

Precautions for Use -----	01	Operating Instructions for Buttons-----	08-09
Product Structure -----	02	Instructions for Remote Control -----	10
Technical Parameters -----	03	Maintenance and Cleaning -----	10-12
Packing List -----	03	Electrical Schematic Diagram-----	12
Operating Instructions -----	04	Troubleshooting -----	13
Instructions for Display/Control -----	05	Environmental Protection -----	14
Panel Instructions for Display Icons ---	06-07	Description Warranty Card-----	15

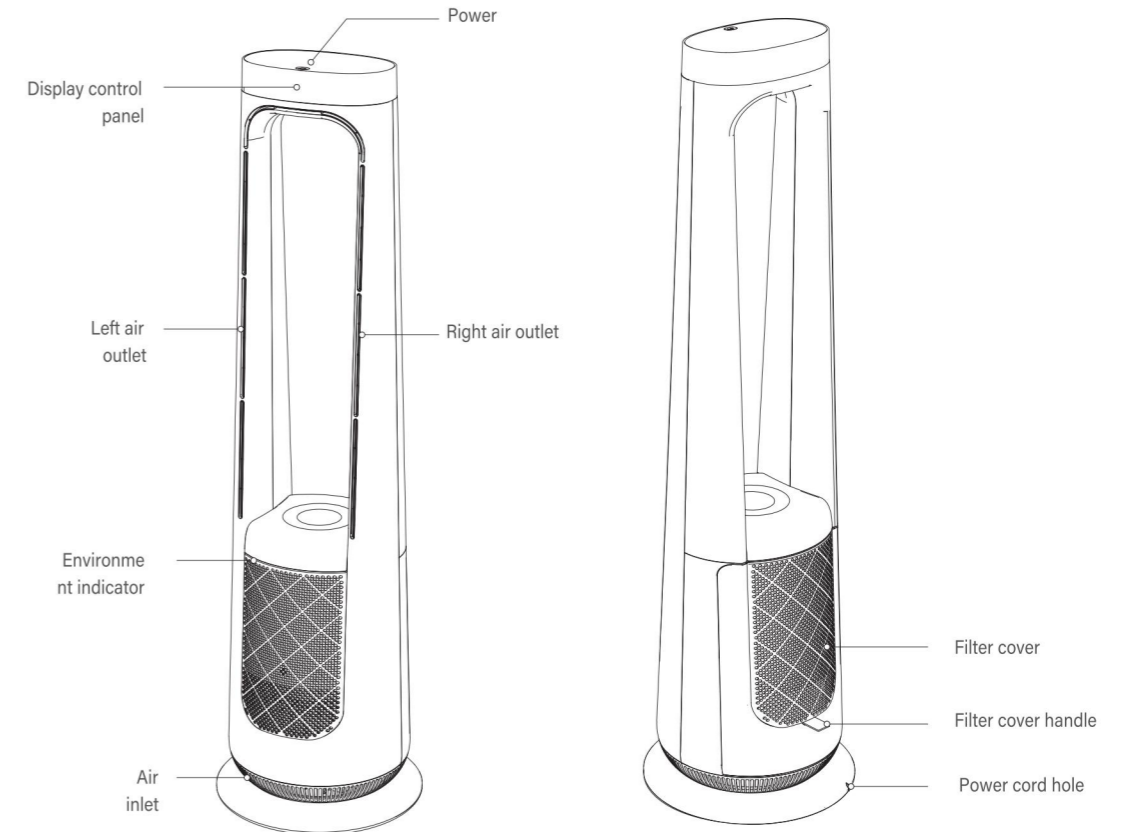
01 / Precautions for Use

Please read the manual carefully before using this product, and keep it properly for future reference.

Please pay attention to the following during use to prevent unnecessary personal injury and property loss caused by improper use:

- ① Please use a separate power supply socket to avoid danger from overheating of the socket. Do not use it in a mobile socket, or extend its power cord.
- ② Do not allow children or disabled individuals to operate and use this product alone. It shall be placed out of the reach of the above-mentioned persons to avoid accidents such as electric shock and burns.
- ③ Do not use it in an environment where flammable and explosive articles are stored. Please keep away from hot or high-temperature objects during use to avoid fire.
- ④ Do not use it near soft objects, such as curtains, and ensure that there is a distance of 10 cm near the product.
- ⑤ Do not move or tilt the machine while it is in operation. If it is necessary to move it, be sure to turn off the power supply and unplug it first. It is strictly forbidden to pull the power cord to move the product.
- ⑥ Do not use it on an inclined table. Place it on a flat and firm place.
- ⑦ Do not use it outdoors or on the wet ground to reduce the risk of electric shock.
- ⑧ Do not turn on/off the power supply or move the product with wet hands. Keep your hands dry to avoid electric shock.
- ⑨ Do not use gasoline, alcohol or other flammable detergents for cleaning to avoid fire.
- ⑩ When using the heating function, do not expose the naked skin near the surface of the air outlet or directly touch it to avoid burning, and do not cover the machine to avoid overheating.
- ⑪ Before use, ensure that the power cord plug is fully inserted into the socket to avoid fire caused by poor contact between the plug and the socket.
- ⑫ Avoid water splashing on the machine or water immersion. If water is splashed on it accidentally, use a hair dryer to dry it completely (the hair dryer must not get close to the base) before use. If it cannot work, please contact the after-sales staff for repair.
- ⑬ In the event of a product malfunction, please promptly switch it off, unplug it, and contact our after-sales staff for assistance. Non-professionals shall not repair or modify this product by themselves.
- ⑭ Any damaged power cord must be replaced by professionals from the manufacturer, its maintenance department or similar departments to avoid danger.
- ⑮ Do not use this product with a programmer, timer or other device that can automatically turn on the power supply.
- ⑯ Please unplug the power plug before cleaning, maintenance and repair.
- ⑰ Please cover the machine with a dustproof bag when it is not in use for a long time and then place it in a safe, cool and dry place to avoid direct sunlight.
- ⑱ Please follow the manual to remove the packages of the product and filter screen first and install the filter screen correctly before use.
- ⑲ Do not use this product as the warming or heating equipment for animals and plants.
- ⑳ Do not place it immediately under the power supply socket.

02 / Product Structure



Note: To continuously optimize and upgrade the product, the physical object purchased may be slightly different from the schematic diagram, so the physical object shall prevail.

03 / Technical Parameters

Product Name	Air Multiplier
Model Name	AFS-BL01
Voltage	220V~/50Hz
Electric Power	1800W
Net Weight	9.4kg
Product Size	326 × 326 × 1163mm
Executive standards	GB 4706.1-2005 GB 4706.23-2007 GB 4706.27-2008 GB 4343.1-2018 GB 17625.1-2022

04 / Packing List

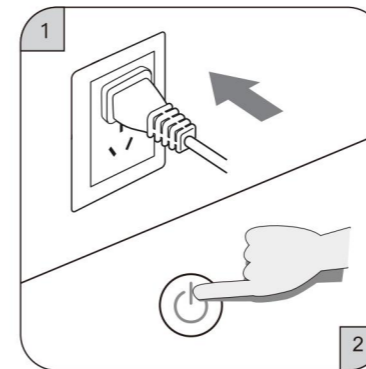
S/N	Component Name	Quantity
1	Main machine (with filter)	1
2	Remote control	1
3	Operating Instructions for Wi-Fi	1
4	Instructions	1
5	Remote control battery	2

05 / Operating Instructions

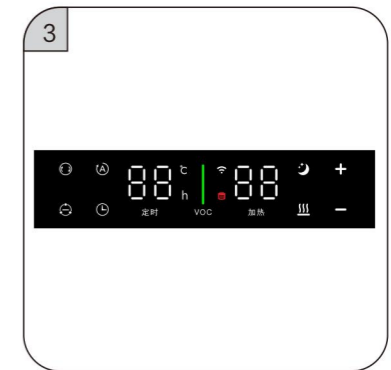
⚠ Precautions for Use

- A filter screen has been attached to the inside of the machine.
- Make sure that all the filter screen is mounted correctly and in place.
- Make sure that the filter screen handle is facing towards you.
- Ensure that the filter screen protective cover is installed correctly and in place.

Get Started



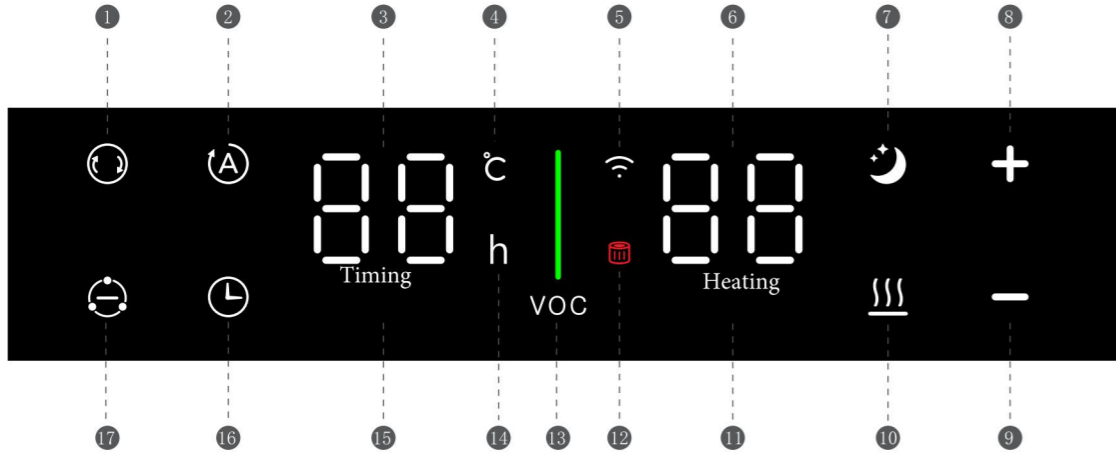
1. Plug in the cord to power up the machine. The buzzer beeps and then it enters the standby state.
2. Touch the power button to turn the device on.



3. When the screen lights up, touch the relevant function keys to make the device enter the working state.

Tip: There is no response after the machine is plugged in. Please check whether the filter screen protective cover is installed correctly and in place.

06 / Instructions for Display/Control Panel


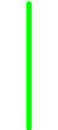





- ① Swing
- ② Intelligent Mode
- ③ Temperature/time display
- ④ Temperature unit
- ⑤ Wi-Fi icon
- ⑥ Gear Indicator
- ⑦ Sleep
- ⑧ Increase
- ⑨ Decrease
- ⑩ Warm Air
- ⑪ Warm air icon
- ⑫ Filter life icon
- ⑬ Air quality display bar
- ⑭ Time unit
- ⑮ Timing icon
- ⑯ Timing
- ⑰ Sterilization

Note: The illustrations of the product, accessories, and user interfaces in the manual are schematics for reference only. Due to product renewal and upgrade, the actual product may differ slightly from the schematic. Please refer to the actual product.





07 / Instructions for Display Icons






Display Icons	Name	Meaning	Description
	Temperature/ time display	Always on for value display	Display of current ambient temperature Alternative display of temperature and time after the timing function is activated
	Wi-Fi icon	OFF Flashing Always ON	Wi-Fi not activated Wi-Fi connecting Connected to Wi-Fi and can be controlled via an APP.
	Air speed gear indicator	Displaying 1-12 Displaying P1-P3	Operating gears for cool air mode Operating gears for warm air mode
	Warm air icon	Off/Always on	Warm air mode off/on
	Timing icon	Off/Always on	Timing off/on

Display Icons	Name	Meaning	Description
	Filter life icon	Off/Always on	In service/expired, replace it in time
 VOC	Air quality display bar	 ---Green indicator normally on VOC---White indicator normally on	Excellent air quality
		 --- Blue indicator normally on VOC--- White indicator normally on	Good air quality
		 --- Red indicator normally on VOC--- White indicator normally on	Poor air quality

Note: The display effect of the air quality display bar is the same as that of the environment indicator.

08 / Operating Instructions for Buttons

Button Symbol	Name	Meaning
	Power	Tap the power supply button in the standby state to enter the working state, in which case the indicator lights up in white; tap the "power supply" button in the working state to enter the standby state, in which case the indicator lights up in red.
	Swing	Tap the swing button in the working state, the button indicator lights up in green, the swing function is on.
	Intelligent Mode	<p>In the working state, touch the "Intelligent Mode", and the device will switch between intelligent mode and manual mode. When the intelligent mode is activated, the intelligent mode button will light up in green, indicating that the mode has been initiated. In the intelligent mode, the air speed changes according to the ambient temperature and the air quality indicator color changes according to the air quality.</p> <p>WiFi networking function: Press and hold the "Intelligent Mode" in the working state, and the WiFi icon on the display screen will flash, indicating that it is waiting for networking. The WiFi icon stays on when the networking is successful, and goes out if it fails to connect WiFi for a long time.</p>
	Sleep	<p>In the working state, tap the sleep button to enter the sleep mode. In the sleep mode, only the sleep button indicator lights up in green, all other indicators and icons are off, and the sleep button indicator also goes out after one minute.</p> <p>In sleep mode, tap any functional button once to wake up the display, and the screen lights up. Tap this button again to exit the sleep mode. If you do not tap it, the screen will return to the sleep mode and turn off after 10 s.</p>

Button Symbol	Name	Meaning
	Increase	Gear increasing and time setting
	Decrease	Gear decreasing and time setting
	Warm Air	Tap the warm air button in the working state, the warm air button lights up in green and enters the warming mode. The warm air icon will light up on the display screen, while the gear display area will show the selected gear. Each tap of the "Increase" will increase the gear setting by 1, while each tap of the "Decrease" will decrease the gear setting by 1. The gear can be set between P1 and P3. Re-tap the warm air button to turn off the warm air function.
	Timing	Set timing: Tap the "Timing" in the working state, the time displayed will flash, and the machine will enter the setting state of timed shutdown. Each tap of the "Timing" increases the value by 1 (which can also be adjusted freely by the "Increase" and "Decrease"), and the adjustment range is 0-12 hours. After setting the time, do not perform any additional operations. The machine will automatically confirm the set time, and the "Timing" icon will light up and the indicator will turn green. Cancel timing: Press and hold the "Timing", the timing function icon will go out and the "Timing" indicator will light up in white.
	Sterilization	Tap "Sterilization" in the working state, the "Sterilization" indicator will light up in green, and the sterilization function will be activated.

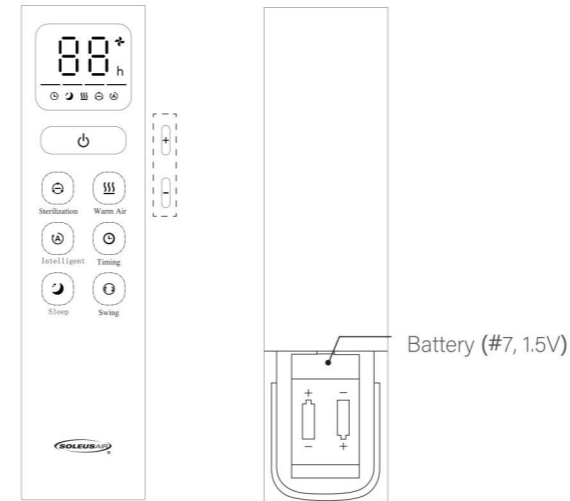
09/ Instructions for Remote Control

Put the battery into the battery compartment on the back before using the remote control

- The display and buttons of the remote control correspond to the functional buttons of the machine;
- The remote control can be used normally within 3 m in front of the product and within a deviation angle of 30° ;
- If the remote control is found to be insensitive during use, replace the battery.

Note:

Since the battery contains various heavy metals and acids and bases, please recycle the used batteries by categories.



10/ Cleaning and Maintenance

The machine must be unplugged and cooled down before cleaning and maintenance.

1. Machine body cleaning

- Use a soft cloth to wipe off the stain.

- Wipe stubborn stains that cannot be easily removed with a soft cloth dipped in an appropriate amount of neutral detergent.

Note: During maintenance, do not scratch the machine shell with hard objects. When removing the filter element protection cover, please follow the instructions and do not damage the components.

2. Replacement of filter screen

- The built-in program will remind you to replace the filter screen. However, due to varying levels of pollution in actual use, the usage cycle of the filter screen will also vary. Therefore, it is recommended to promptly replace the filter screen based on the service life prompts to maintain optimal performance.
- When the filter life icon in the display area lights up, replace the filter according to the procedure indicated in the operating instructions;
- Reconnect the power supply, and turn on the machine. Press the "Sterilization" and the "Timing" at the same time, and the machine program will reset and recalculate the filter life, and the filter life icon will flash and go out.

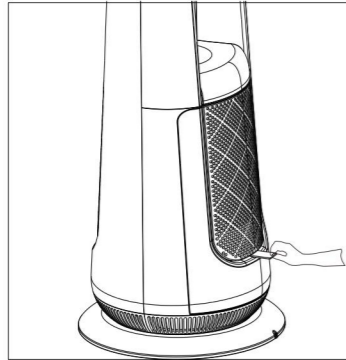
3. Filter screen cleaning

a. When dust accumulates on the surface of the filter, use a vacuum cleaner to clean the surface dust to prolong the filter life (cleaning is recommended once every 1 month, without water washing).

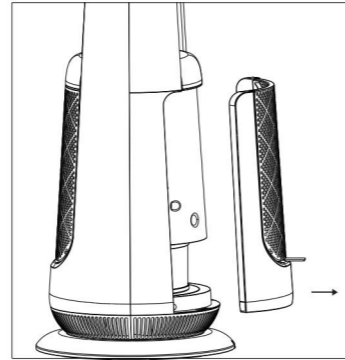
* Depending on the usage occasions (such as environments with a large number of smokers or pets) and methods, the filter screen replacement cycle may be shortened; if the disinfection performance deteriorates, please replace the filter screen in a timely manner.

* Please dispose of used filter screens as solid waste in accordance with relevant regulations.

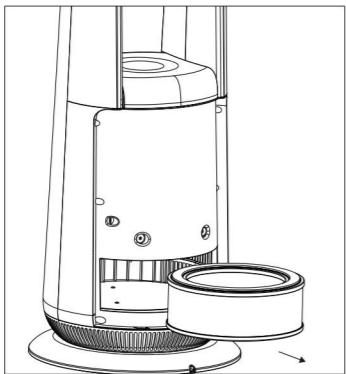
Filter screen Replace



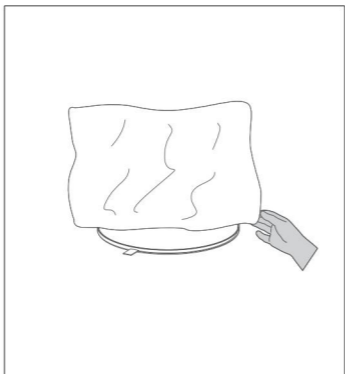
1. Place your hand on the handle of the filter cover and pull it outward gently.



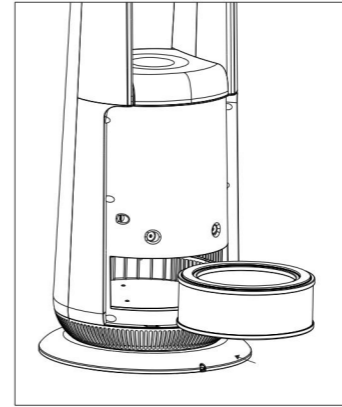
2. Take off the filter cover.



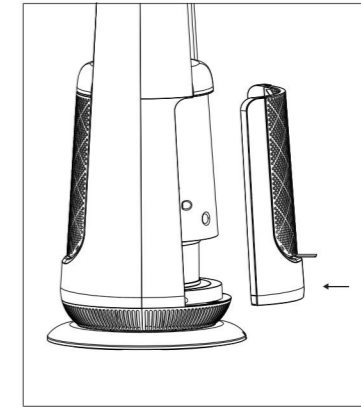
3. Take out the old filter screen in the machine.



4. Remove the plastic bag on the new screen.

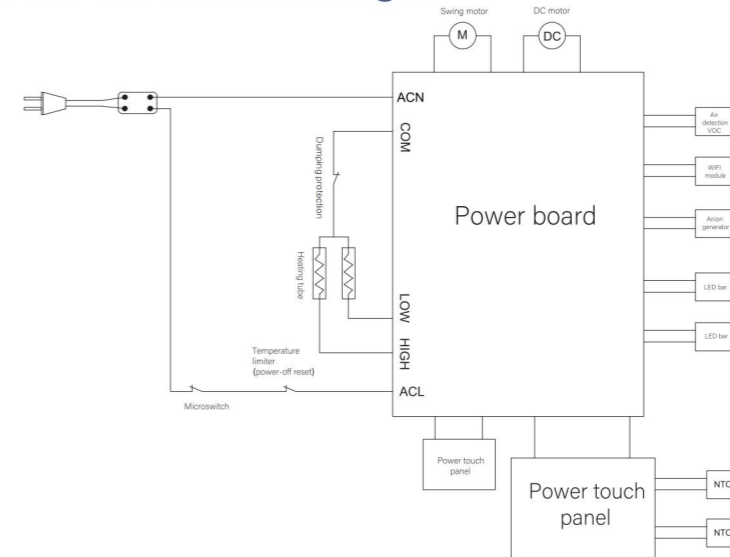


5. Install the new filter without any plastic wrapper.



6. Install the new filter cover.

11 / Electrical Schematic Diagram



Note: The electrical schematic diagram is provided for reference purposes only and is subject to change without prior notice.

12 / Fault Analysis and Troubleshooting

In case of the following general problems, you can troubleshoot them on your own.

S/N	Fault Symptom	Check Items	Troubleshooting
1	No response of the machine	Whether the power socket is electrified	Turn on the power supply
		Whether the power plug is loose	Connect the plug
		Filter cover or filter not installed in place	Check whether the filter cover or filter is installed in place
2	Abnormal noise	Whether the plastic bag of the filter screen is removed	place Reinstall the plastic bag of filter screen
		The machine resonates with the table	Please move the machine to a solid table
		Foreign objects inside the machine	Check the machine to remove foreign objects
3	Failure to connect to Wi-Fi	Check whether the network is normal	Reconnect or restart the router
		Check whether the router signal is stable	
		Check whether the Wi-Fi password is correct	
4	Odor at the air outlet	The filter screen absorbs too much odor and smoke	Replace filter in time
		The filter screen has reached the end of its service life	
5	Display of "E2"	Product tilting or tipping over	Place the product in a flat position
6	Display of "E3"	Fan abnormal	Contact after-sales service
7	Display of "E4"	High temperature protection	Check if the air outlet is covered with an object. Re-power and restart after it cools down
8	Display of "E5"	Abnormal NTC	Contact after-sales service

Handling of abnormalities

Cut off the power supply immediately and stop using the product in case of abnormal conditions, such as abnormal noise and excessive smoke. If the product cannot work, please check whether the power supply is connected and whether the machine has been started with the power button pressed. Please go to the designated maintenance center for repair and contact us via our hotline if the product still fails to work after the above inspection.

13 / Environmental Protection Description

- This product meets the requirements of the *Administrative Measures for the Restriction of the Use of Hazardous Substances in Electrical and Electronic Products*.
- During the environmental protection use period, consumers can use the product at ease without any leakage or precipitation of harmful substances that may affect their health during normal use.
- The environmental protection use period of our products is 10 years and is valid only when this product is used under the normal conditions described in this manual.

Component Name	Toxic and hazardous substances or elements					
	Lead (Pb)	Mercury (Hg)	Cadmium (Cd)	Hexavalent chromium (Cr (VI))	Polybrominated biphenyls (PBB)	Polybrominated diphenyl ethers (PBDE)
Power cord assembly	○	○	○	○	○	○
Base assembly	○	○	○	○	○	○
Filter element assembly	○	○	○	○	○	○
Power system assembly	×	○	○	○	○	○
Circuit board	×	○	○	○	○	○
Remote control	×	○	○	○	○	○
Enclosure assembly	○	○	○	○	○	○

This table is prepared according to provisions in SJ/T 11364.

"○" indicates that the content of the substance in all homogeneous materials of the component is below the limit specified in GB/T26572. "×" indicates that the content of the hazardous substance in at least one homogeneous material of the component exceeds the limit specified in GB/T26572.

*The environmental protection list provides the data of the summary table, and the components contained in each product vary. Please read it as needed.

The environmental protection use period is 10 years:

It refers to the period during which the hazardous substances contained in this product will not leak or have a sudden change and will not result in serious environmental pollution or cause serious personal injuries to users or damage to their assets during normal use under the conditions described in the manual.



Arrow circle:

It indicates that the product is recyclable. After the service life expires or the product cannot work normally after maintenance, it shall not be discarded at will. In this case, please send it to a regular recycling channel or an enterprise qualified for the disposal of waste electrical and electronic products. For the correct disposal methods, please refer to the national or local regulations on the disposal of used electrical and electronic products.

14 / Warranty Card

- ① The warranty for the complete machine is valid for one year, beginning from the date of issuance of the product invoice or purchase voucher. The warranty for the complete machine and its main parts is governed by China's national warranty policy.
- ② During the warranty period, for any performance failure caused by the quality of the product itself, please go to the designated maintenance point for free repair with the filled warranty card and shopping receipt.
- ③ Please keep the purchase invoice or shopping receipt properly.

Please note that free repair services will not be provided in the following cases:

- ① The warranty card and valid invoice or shopping receipt are waived.
- ② The model on the invoice is inconsistent with that of the product to be repaired or has been altered.
- ③ The faults are caused by failure to operate the machine according to the manual.

Product information:

Name	
Model	
Purchased on	
Purchased at	

Repair record (s):

Repaired on	Repair details